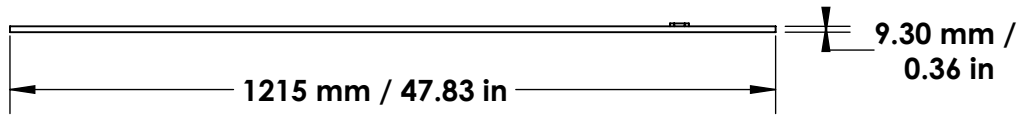
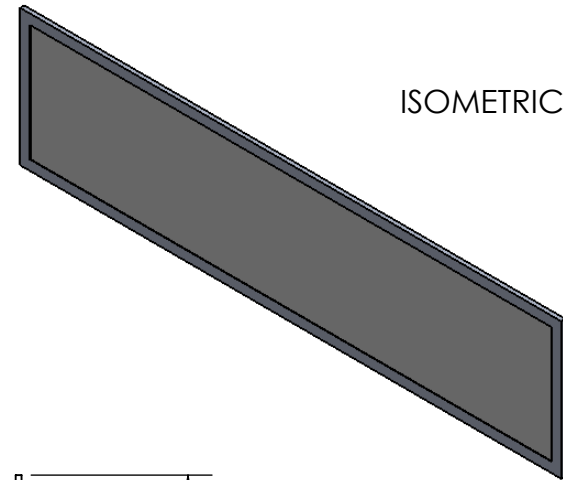


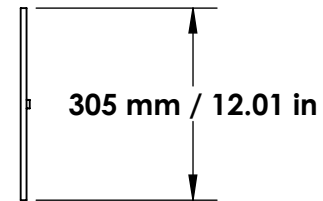
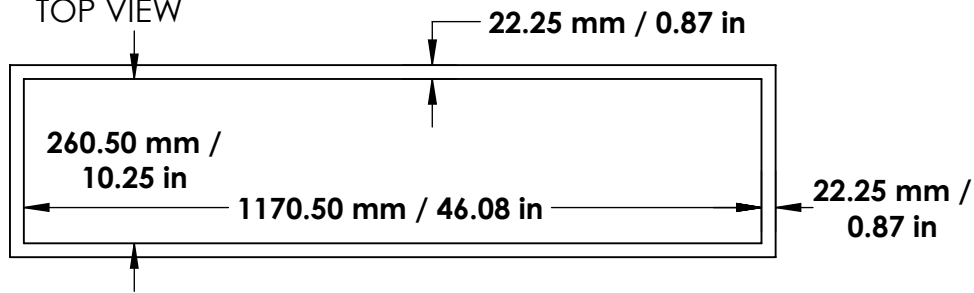
FRONT VIEW



ISOMETRIC VIEW

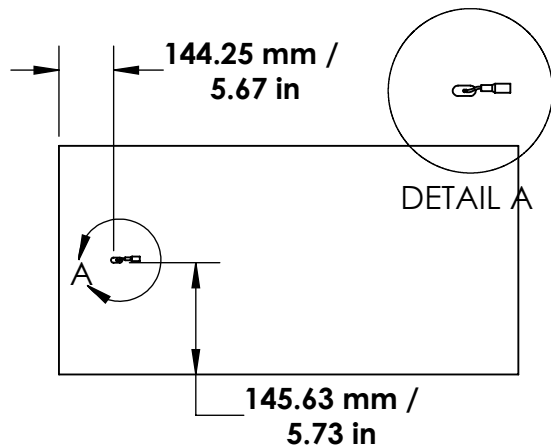


TOP VIEW



SIDE VIEW

ELECTRICAL COMP. LOCATION



UNLESS OTHERWISE SPECIFIED:  
 DIMENSIONS ARE IN MILLIMETERS  
 SURFACE FINISH:  
 TOLERANCES:  
 LINEAR:  
 ANGULAR:

FINISH:  
 ALUMINUM  
 POWDER COATED

DO NOT SCALE DRAWING

REVISION

	NAME	SIGNATURE	DATE	
DRAWN	CABRAL		3/14/18	ALL DIMENSIONS ARE IN MM.
CHK'D				
APPV'D				
MFG				
Q.A				MATERIAL:
				WEIGHT:



DWG NO.

Preston 1X4

SCALE:1:10

SHEET 1 OF 1